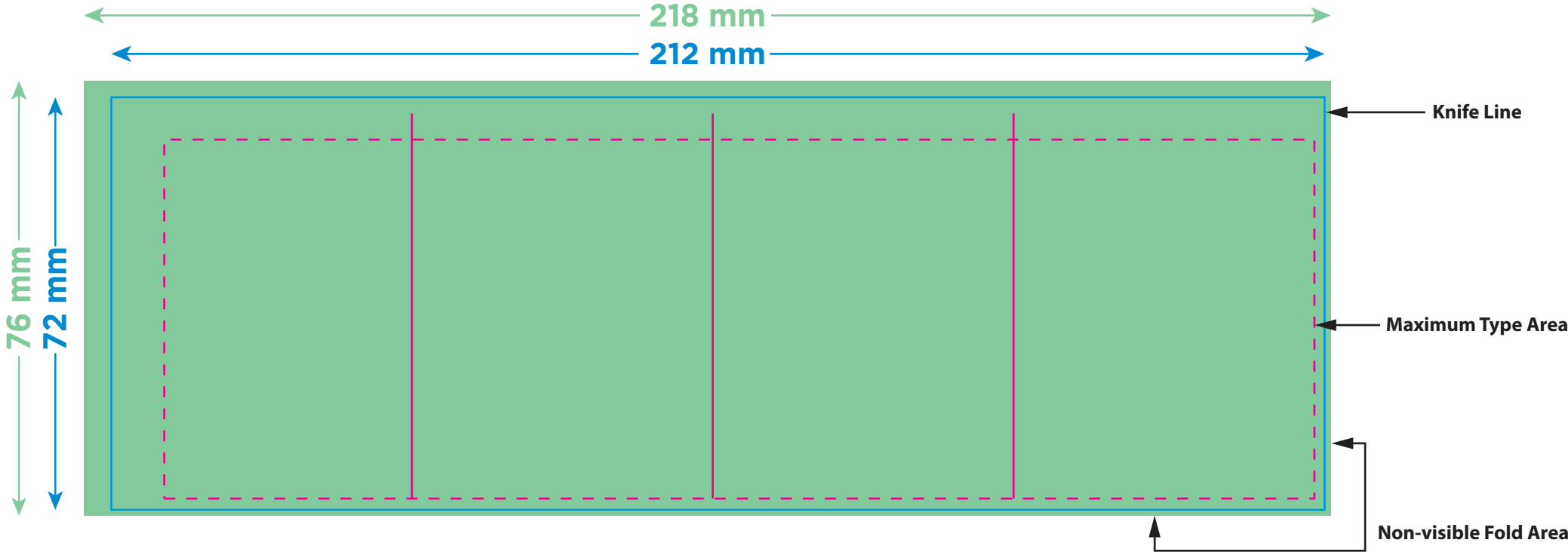


**DOUBLE WALL**







**ARTWORK NOTE**

- ✓ Adobe **PDF** is our preferred file format.
- ✓ All 4 colour tone designs should be created using the **CMYK** colour mode.
- ✓ All **line** and **solid** designs should be produced as spot colours and PMS colour numbers supplied.
- ✓ **Do not** embed any images – supply all images as linked files.

- **Maximum Type Area (201mm x 62mm):** This is your live print area. All critical text and images need to be within this area.
- **Maximum Image / Ink Area (218mm x 76mm):** This is the area that you need to place your artwork and background colours within. Please remove if your background colour will be white
- **Knife Line (212mm x 72mm):** This is the line along which the template will be cut out and used to produce your cup.
- **Center Align Logo:** This is the line along which the logo will be center align or center on both sides.

**Key**

-  = Maximum Type Area / Ideal Viewing Space
-  = Maximum Image / Ink Area
-  = Knife Line
-  = Center Align Logo